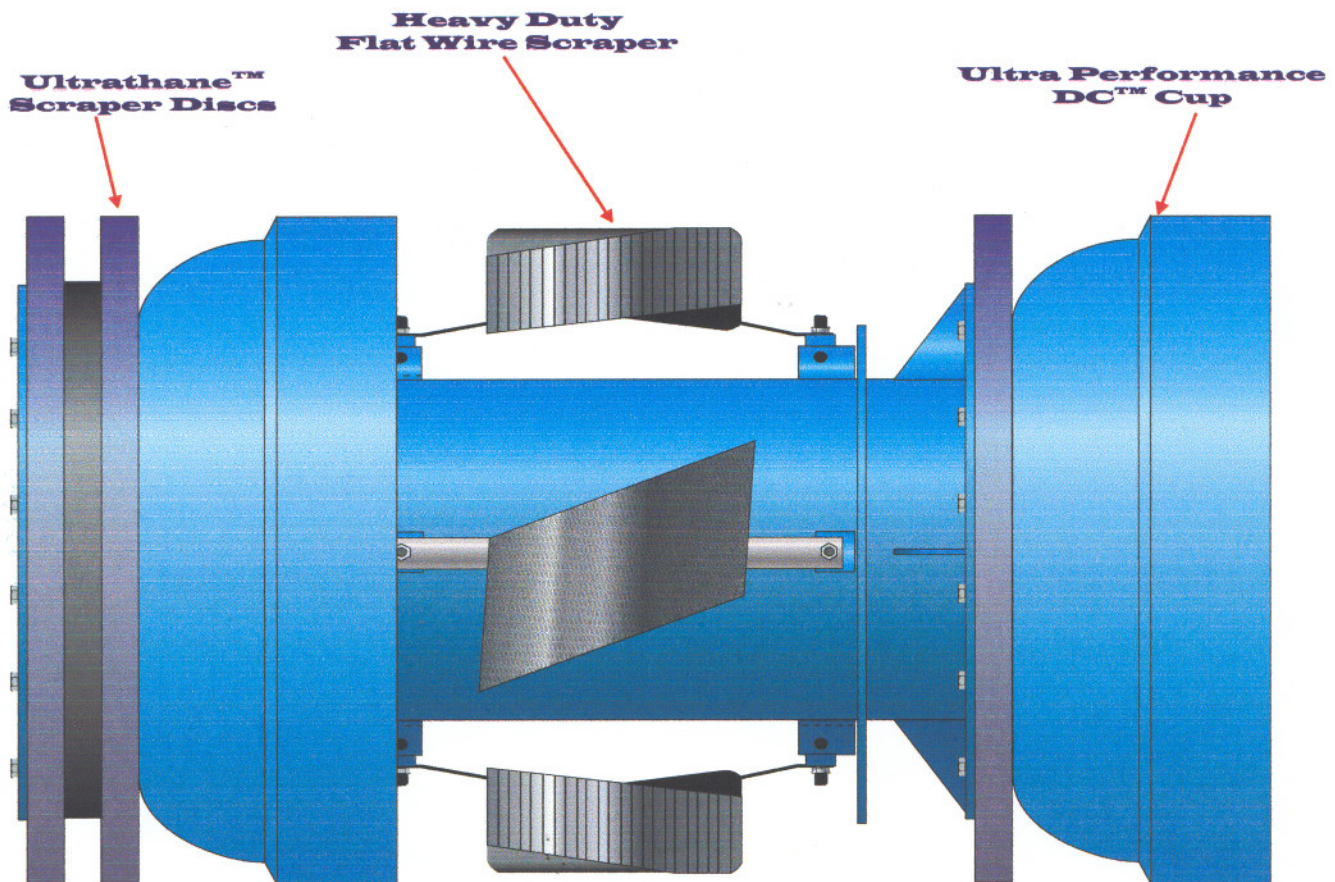


ULTRA-PIG™



Everything about Knapp's New Ultra-Pig™ was designed with extreme duty in mind. The tough replaceable cups and discs are made exclusively of Ultrathane™, Knapp's proprietary system of custom urethane compounds formulated for severe pipeline conditions that destroy standard "off-the-shelf" urethane.

The Ultra-Pig uses the patented, long-wearing DC™ Cup to provide the pipeline operator with the edge for long-distance runs. The DC Cup's hefty load-bearing capacity makes it possible to support even the heaviest of metal-mandrel pigs without the "nose-diving" common in standard light duty cups.

For extra scraping the Ultra-Pig uses heavy duty flat wire scraper brushes that are mounted on spring-loaded arms to ensure constant contact with the pipe wall.

DC Cup, Ultra-Pig and Ultrathane are Registered Trademarks of Knapp Polly Pig, Inc.

KNAPP
POLLY PIG