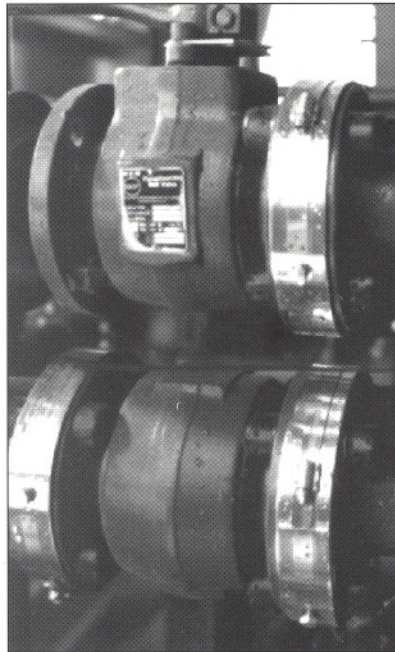
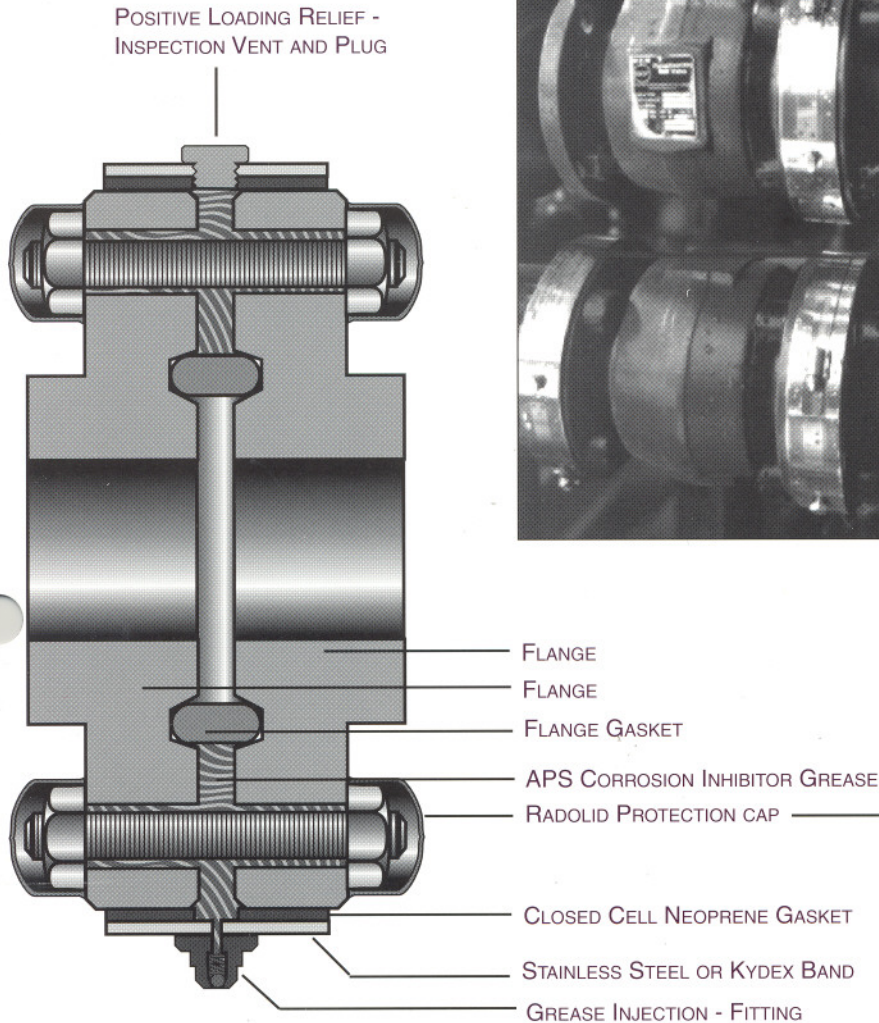


# FLANGE PROTECTORS & RADOLID PROTECTION CAPS



## CROSS SECTION



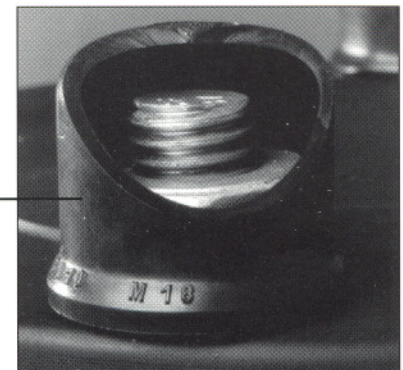
Kydex with worm-gear fastener



Stainless-steel with worm-gear fastener



Stainless-steel with "T"-type fastener



## RADOLID PROTECTION CAPS

Radolid Protection Caps are used to eliminate corrosion of nuts and bolts thus allowing easy unbolting when necessary. These caps are easily installed by pressing-on to the bolted joint by hand. The barbed edge snaps on and prevents the caps from accidentally being knocked off. Manufactured of high density black UV-resistant polyethylene these caps are reusable and will keep nuts and bolts corrosion free for years. (APS recommends loading one quarter of the cap with APS high melt corrosion inhibitor grease for added protection.)

All APS Flange Protectors have an exclusive positive loading relief vent and plug that assures complete loading of flange cavities, plus allows you to visually inspect the flange without removing the protector.

The gasket is made of 3/16" closed cell neoprene for positive seal. (Other gasket material available on request.)

diameter to 42" diameter. Also available are Flange Protectors to fit API 2000# to 15,000# flanges, API Integral flanges and API obsolete flanges. APS maintains the largest stock available in all sizes, ready for immediate shipment.

All Flange Protectors from 1/2" to 6" diameter are manufactured on 1 1/2" wide band. The 8" to 42" diameter are on a 2 1/2" wide band, with extra grease fittings installed on all large diameter flange protectors. Both models are available in large flange sizes, over 42" in diameter, and also extra wide widths over 2 1/2".

## AVAILABILITY

APS presently manufactures Flange Protectors to fit all ANSI flanges 150# series to 2500# series, from 1/2"