

# SILT-STOP

American  
Excelsior  
Company

## SEDIMENT CONTROL FENCING



Silt-Stop Fences are designed to reduce sediment run-off from disturbed soils into lakes, streams, streets or any sensitive areas. The specially

designed fabric allows for water movement through the fabric, while suspended soil particles settle behind the fence.

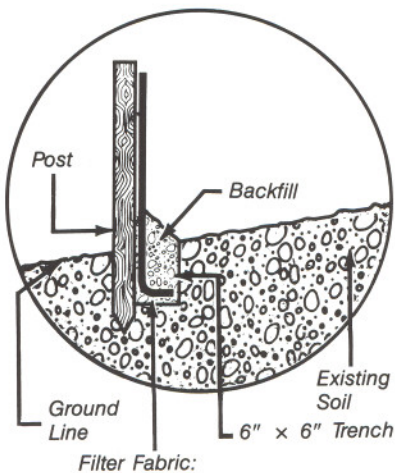
Due to various soil conditions and state specifications, American Excelsior Company offers a variety of fence constructions. You should check with your local representative for assistance in selecting your site-specific products.



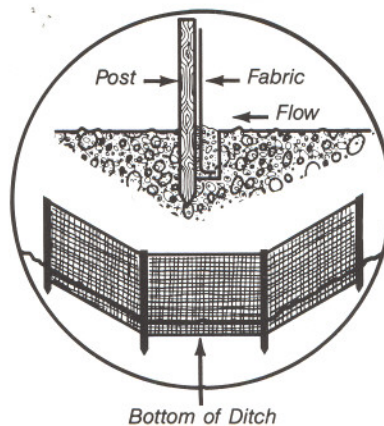
### Silt-Stop Specifications and Installation Instructions:

General installation instructions (consult your local representative for local specifications).

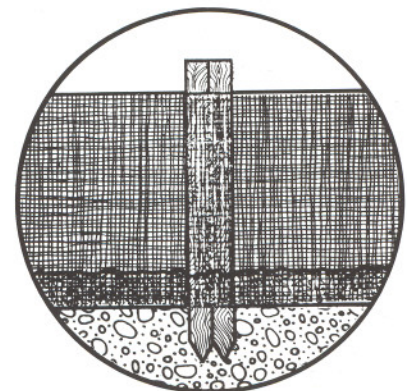
**Slope Check**



**Ditch Check**



**Joining Fences**



Place the end post of the second fence inside the end post of the first fence.

Rotate both posts at least 180 degrees in a clockwise direction to create a tight seal with the fabric material.

Drive both posts about 10 inches into the ground and bury flap.

American  
Excelsior  
Company



EARTH SCIENCE DIVISION

# SEDIMENT LOG

*The log that controls movement of silt and reduces water flow in critical areas.*



## Sediment Log Features

- ✓ On site installations have shown Sediment Log's open core matrix does not deflect water flow or silt around the ends of the installation. Intimate soil contact with the Sediment Log and expansion of the Curlex<sup>®</sup> wood fibers inside the log core offset undermining, overtopping, and blow outs.
- ✓ The Sediment Log outside is made up of a durable, open weave, containment mesh. The inside core is filled with 100% Curlex<sup>®</sup> Aspen excelsior wood fibers. The fibers are curled and have soft interlocking barbs that expand when wet. The fibers protrude through the containment fabric, allowing intimate contact with the soil conditions.
- ✓ Available in 20" diameter and lengths of 7.5', 10' and 12'. Sediment Log is one of the best management practices (BMP) to meet NPDES requirements.